

R 16 THK. FOR Ø6" WHEEL  
ARRANGEMENT FOR 4 NOS. (TYP)

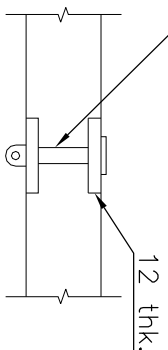
SHS 49.5x49.5x3.6

Ø16 Pin

12 thk.

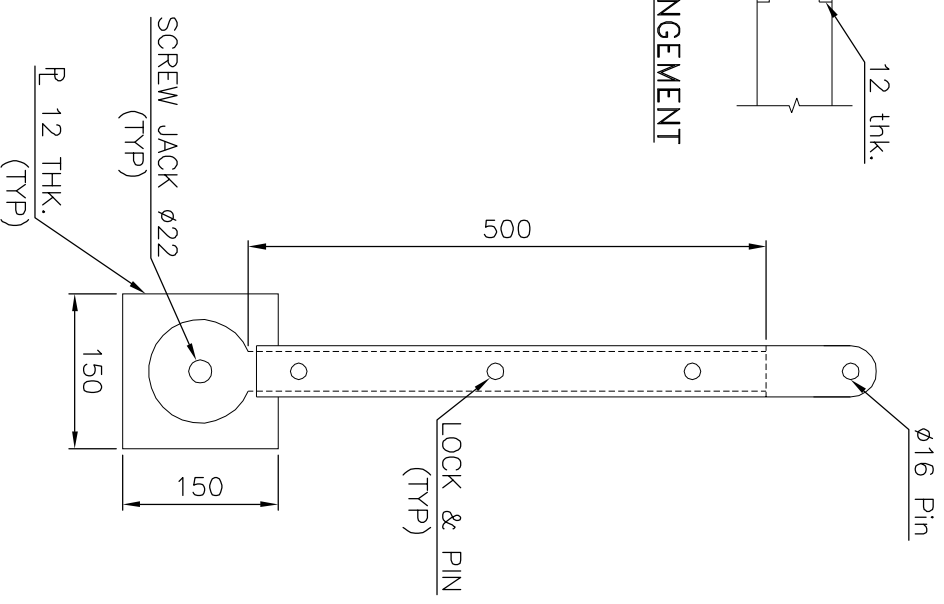
Ø16 Pin

SWIVEL ARRANGEMENT



SHS 72x72x4  
(TYP)

LOCK & PIN  
(TYP)



JACK ARRANGEMENT - 4 NOS.

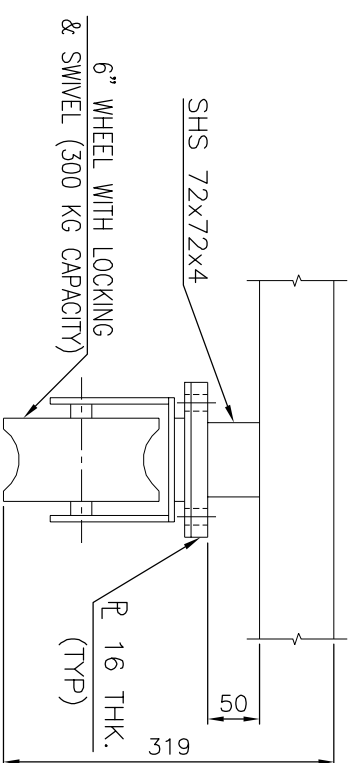
(SHEET 4 OF 4)

BASE FRAME

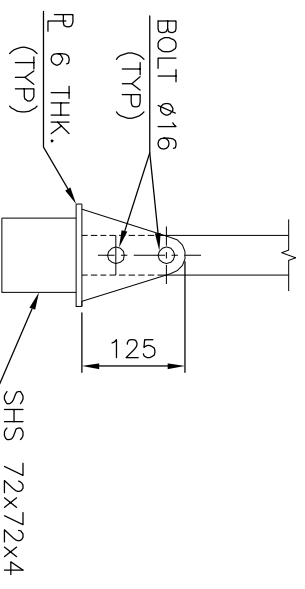
9	R 12 thk.	125x100	8
8	R 6 thk.	125x100	12
7	R 16 thk.	150x150	4
6	Round Head Pin	Ø16x100	6
5	Adjustable Solid Screw Jack(MS)	Ø22x400	4
4	SHS 38x38x4	300	4
3	SHS 49.65x49.5x3.6	550	4
2	SHS 72x72x4	1350	4
1	SHS 72x72x4	2500	2

BILL OF MATERIAL

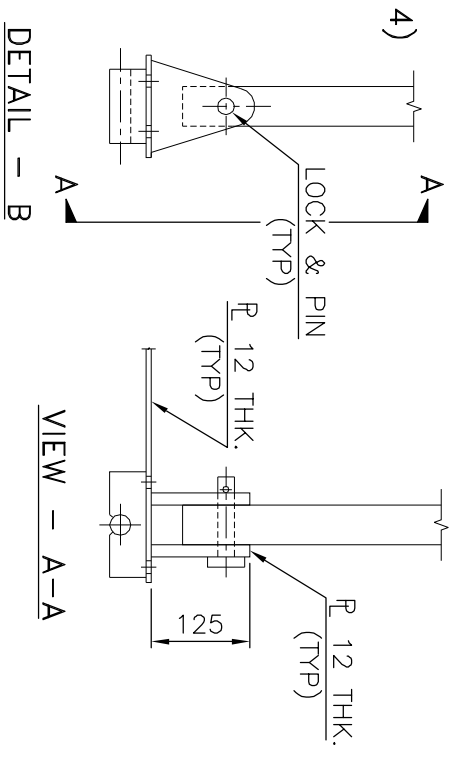
ITEM No.	DESCRIPTION.	APPROX SIZE	NOS. OF ITEMS
9	R 12 thk.	125x100	8
8	R 6 thk.	125x100	12
7	R 16 thk.	150x150	4
6	Round Head Pin	Ø16x100	6
5	Adjustable Solid Screw Jack(MS)	Ø22x400	4
4	SHS 38x38x4	300	4
3	SHS 49.65x49.5x3.6	550	4
2	SHS 72x72x4	1350	4
1	SHS 72x72x4	2500	2



WHEEL ARRANGEMENT - 4 NOS.



DETAIL - A



DETAIL - B

VIEW - A-A

NOTES :-  
1. ALL DIMENSIONS ARE IN mm.  
2. ALL WELDING JOINT SHOULD BE 6mm LEG LENGTH.

PROJECT: LIFTING ARRANGEMENT FOR LANCE		DATE	NAME
DRAWN			
CHECKED			
APPROBED			
DRG.NO 01/CVC/JSR		SCALE:-1:7, 1:10	
SHEET 1 OF 4			